



# JT-60SA FILD

## Commissioning Plans

16-03-2021

J. Ayllon-Guerola, J. Segado-Fernandez, J. Garcia-Dominguez, J. Hidalgo-Salaverri, C. Cobacho-Rodriguez, D. Garcia-Vallejo, M. Garcia-Munoz, S. Davis, G. Phillips, V. Tomarchio, N. Hajnal, C. Piccinni, M. Wanner, C. Sozzi and the PSFT, WPSA, F4E and QST Teams

Acknowledgements: G. Giruzzi, N. Oyama

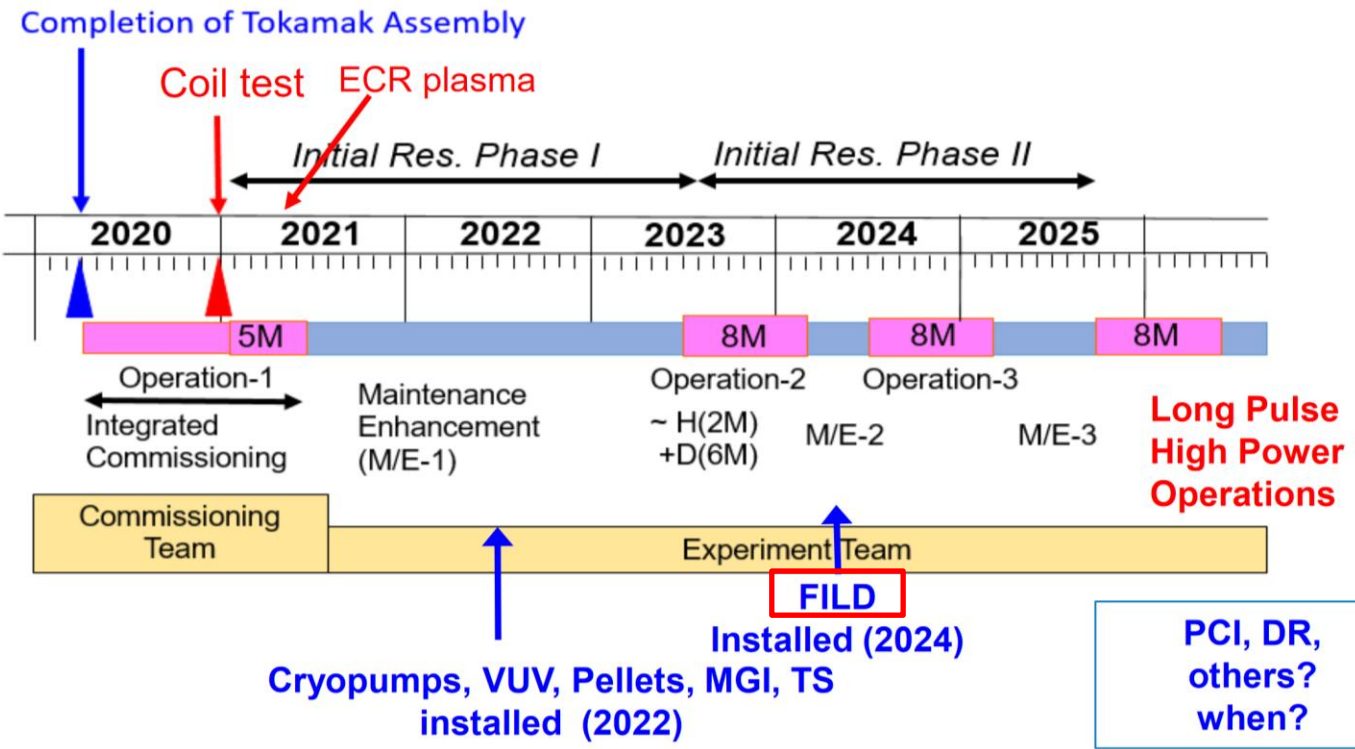


FUSION  
FOR  
ENERGY

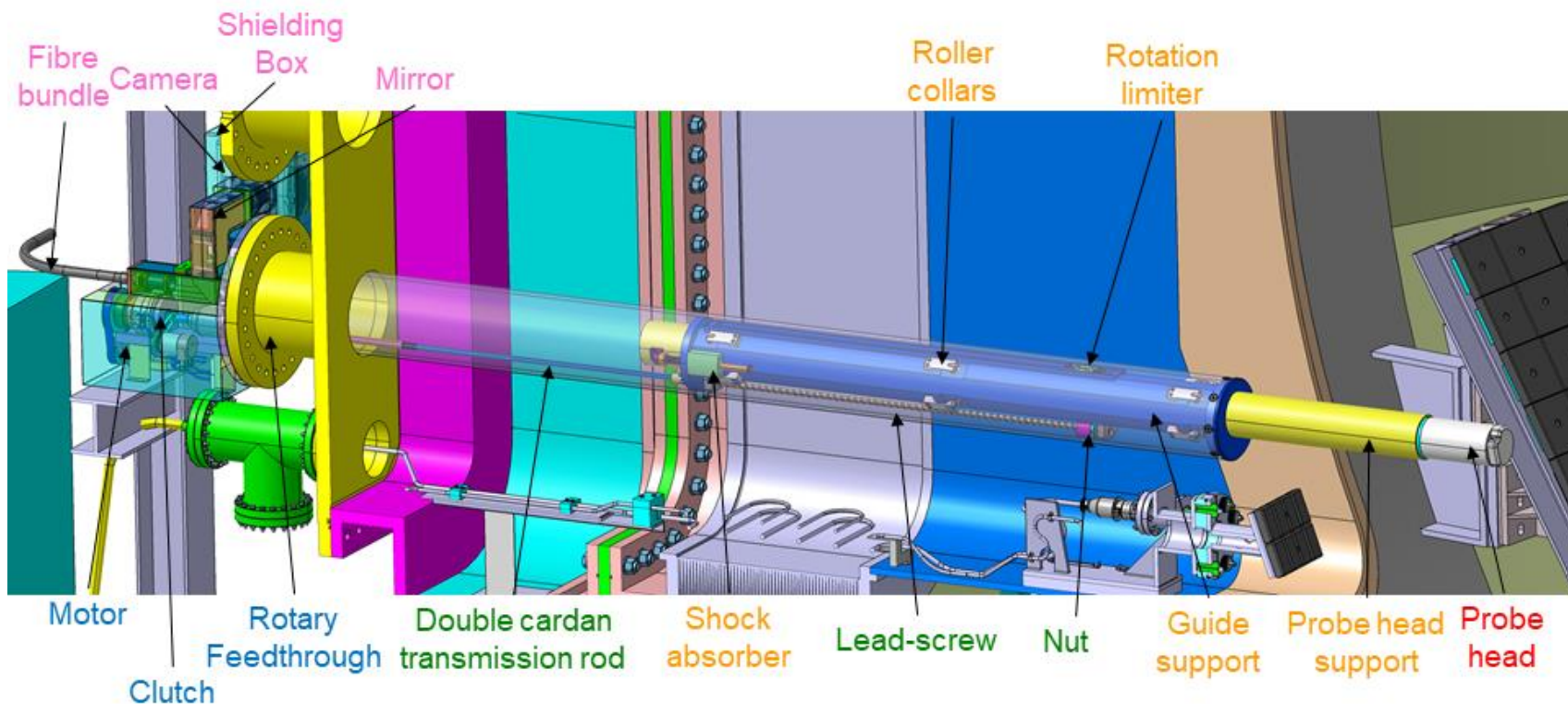


This work has been carried out within the framework of the EUROfusion Consortium and has received funding from the Euratom research and training programme 2014-2018 under grant agreement No 633053. The views and opinions expressed herein do not necessarily reflect those of the European Commission.

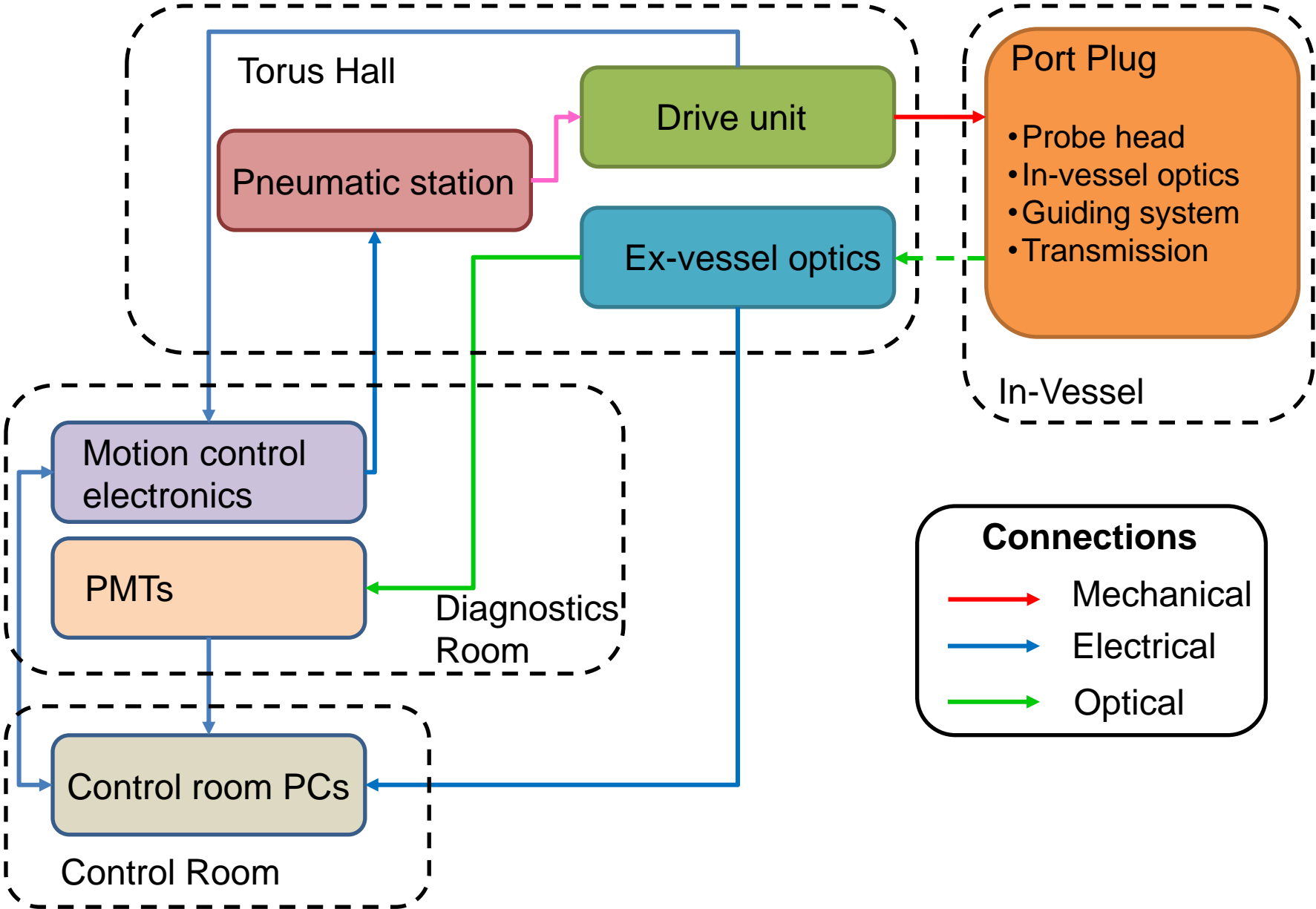
# FILD installed and commissioned in 2024 (M/E-2 phase)



# FILD divided into 5 sub-systems



# FILD connections scheme





- **Onsite support**
  - FILD assembly and calibration in Lab (EU expert needed)
  - FILD installation and calibration In-Vessel (EU expert might be needed)
  - PMTs and motion control electronics installation in Diagnostics Room (EU expert needed)
  - Pneumatic station installation in Torus Hall
  - No special Control Room work (PCs installation and cabling)
- **Software needs**
  - FILDSIM suite (Different versions available: Fortran, IDL, Matlab, Python)
- **Knowledge management and transfer** (reports, publication, training)
  - FILD operation manual/training
  - FILD post-processing tools manual/training
- **Remote operation/maintenance/commissioning or Remote support**
  - FILD remote operation being done (AUG) with onsite support (1 trained person)